

Kit Mid Clamp per montaggio a 15° fisso laterale

IT Fatto per bloccare i pannelli fotovoltaici spessore: 30mm fino a 40mm

Angolo di inclinazione pannello 15° non regolabili.

Materiali:

Staffe, colonna e dadi scorrevoli: Alluminio EN AW- 6063 T66.

Molle intermedia: Acciaio inossidabile.

Viti: M8 con zigrinatura sotto testa per garantire il bloccaggio nel tempo in acciaio inossidabile A2 – 70.

EN It is made to fasten photovoltaic panels with a thickness from 30mm to 40mm.

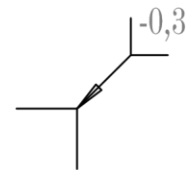
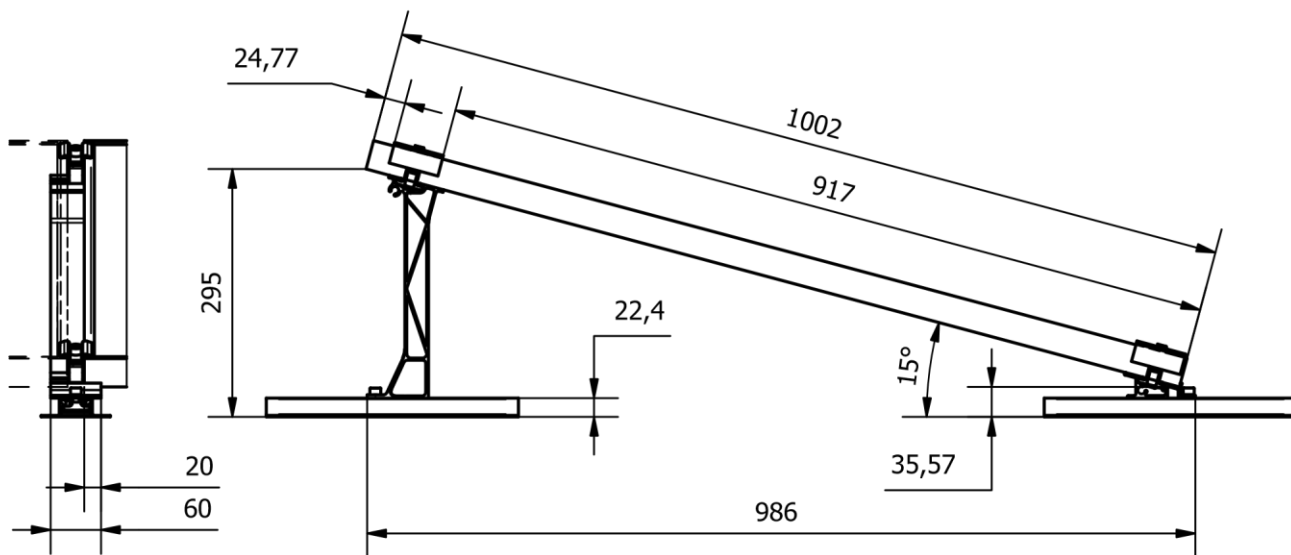
Photovoltaic slope angle 15° not adjustable.

Materials:

Stirrups, pillar and sliding nuts are made in: Aluminium EN AW.6063 T66

Middle springs: Stainless steel.

Screws: In stainless steel A2-70 -M8 with knurling under the head to guarantee a perfect lock along the time.



				Rugosità	
				simbolo	
Name	Modified	Date	Signature		
		Material:	General Tolerances	EN 755-9	
		Description:	Studio fissaggio con dadi incastrati adattabile a pannelli W=1002 fino a W=1200		
		DATE: 15/04/2024	Designer: Marco C.	DRW MM_SFSPF00106	
		Weight K/m:	N/A	Rev.: 00	

Drawing of ownership of the ARS-Solar company according to the law, the reproduction or disclosure of the same without authorization is prohibited