

Middle Clamp

IT Fatto per bloccare i pannelli fotovoltaici spessore: 30mm fino a 40mm

Materiali:

Staffa e dado scorrevole: Alluminio EN AW- 6063 T66

Molla intermedia: Acciaio inossidabile

Vite: M8 con zigrinatura sotto testa per garantire il bloccaggio nel tempo in acciaio inossidabile A2 – 70.

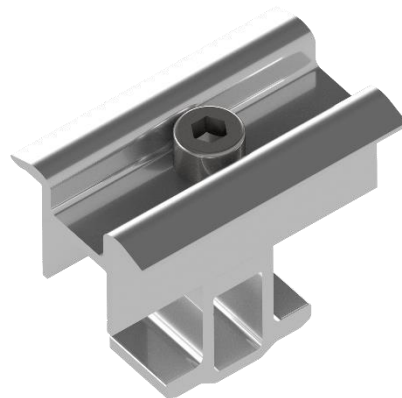
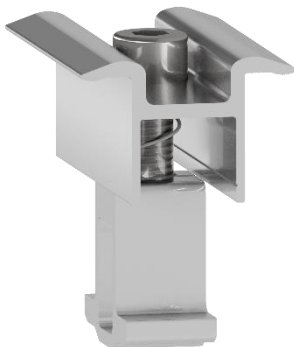
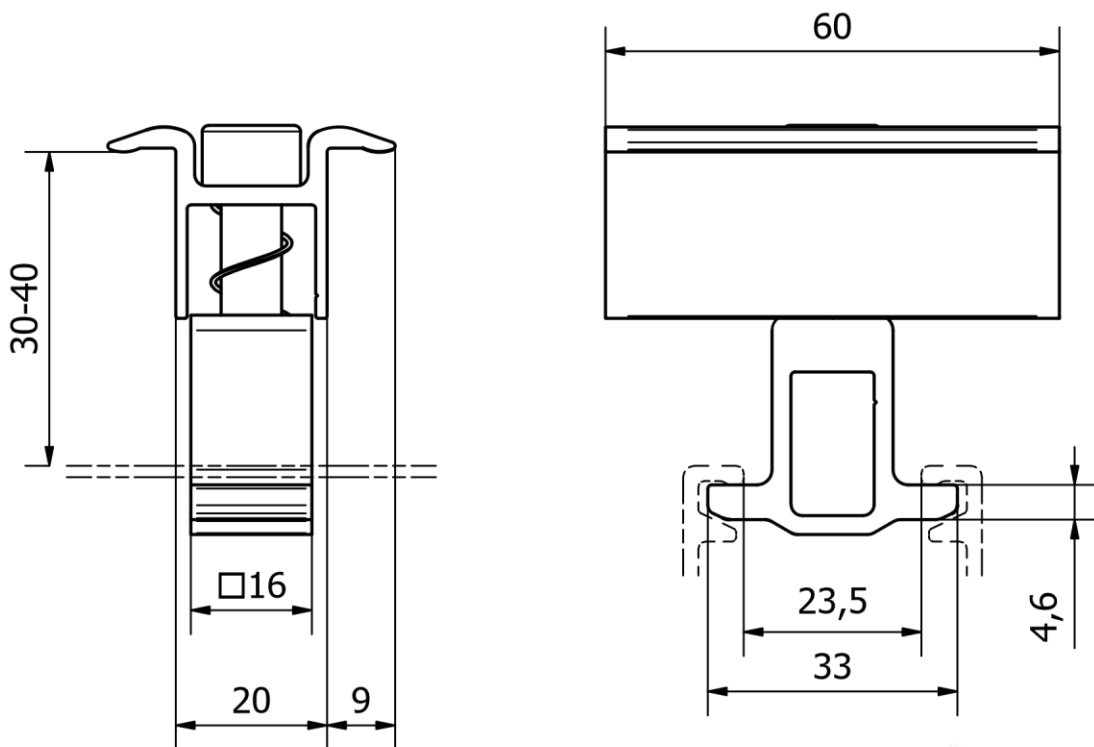
EN It is made to fasten photovoltaic panels with a thickness from 30mm to 40mm.



Materials:

Stirrup and sliding nut are made in: Aluminium EN AW.6063 T66

Middle spring: Stainless steel

Screw: In stainless steel A2-70 -M8 with knurling under the head to guarantee a perfect lock along the time.



Material :		General Tolerances		
		Aluminum Extruded: EN 755-9	Machined parts: UNI EN-ISO 22768-mK	
		Description: Mid Calmp Clamp per dado scorrevole e spessori da 30 a 40mm		
		Date: 06/02/2024	Designer: Marco C.	Drw.: MM_SFSPF00100
Roughness:		Weight : N/A		Rev.: 00
Drawing of ownership of the AR SSolar company according ti the law, the reproduction or disclosure of the same without aithorisation is prohibited				