

End Clamp

IT Fatto per bloccare i pannelli fotovoltaici spessore: 30mm fino a 40mm

La staffa superiore può essere ruotata di 90° per poter bloccare i pannelli frontalmente oppure lateralmente.

Materiali:

Staffa e dado scorrevole: Alluminio EN AW- 6063 T66

Molla intermedia: Acciaio inossidabile

Vite: M8 con zigrinatura sotto testa per garantire il bloccaggio nel tempo in acciaio inossidabile A2 – 70.

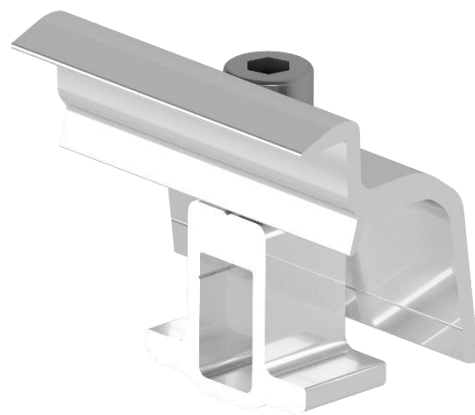
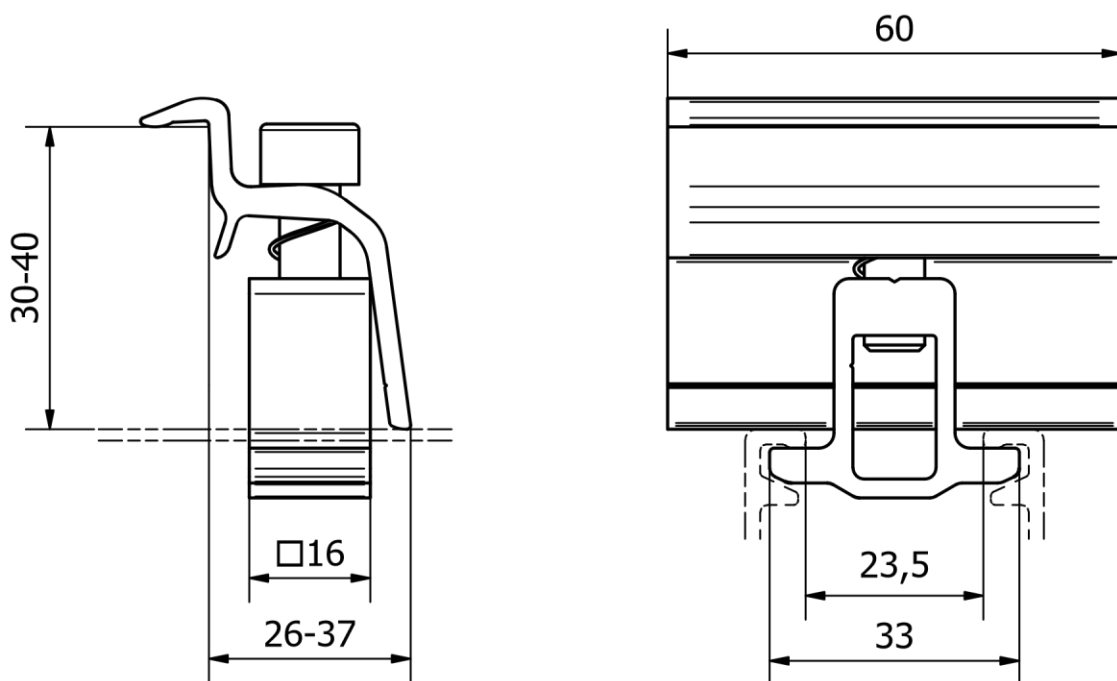
EN It is made to fasten photovoltaic panels with a thickness from 30mm to 40mm.

The upper fastening plate can be rotated by 90° to lock the panel in frontal or lateral position.

Materials:

Stirrup and sliding nut are made in: Aluminium EN AW.6063 T66

Middle spring: Stainless steel



Material :		General Tolerances		
		Aluminum Extruded: EN 755-9	Machined parts: UNI EN-ISO 22768-mK	
		Description: End Clamp per dado scorrevole e spessori da 30 a 40mm		
		Date: 06/02/2024	Designer: Marco C.	Drw.: MM_SFSPF00092
Roughness:		Weight : 0,077 kg		Rev.:
Drawing of ownership of the AR SSolar company according to the law, the reproduction or disclosure of the same without authorisation is prohibited				